

GRP-End Cover

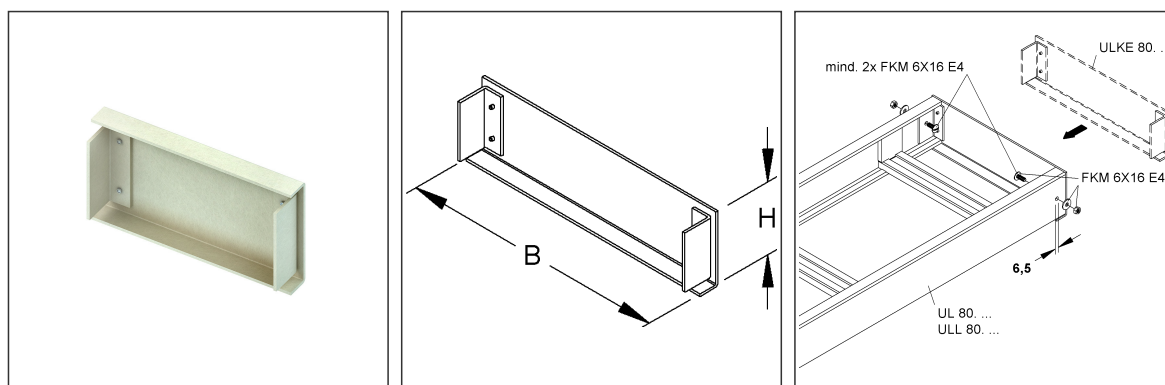
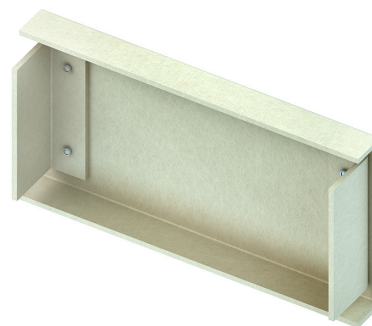
pressed

ULKE 80.500

EAN Code: 4013339965847

Smallest packaging unit: 1 pc.

the photorealistic images are to be considered as reference images



Article Description

GRP-end cover for UL, 80x500 mm, glass fiber reinforced polyester, pressed, RAL 7032, pebble grey

Excl. Accessories

exclusive bolting Required fixing accessories 2 pieces FKM 6X16 E4 (please order separately).

Additional Price Information

Article group	N15
quantity unit	pcs.

Weight

Weight per quantity unit	233 g / pcs.
Weight in kg per 100	23 kg / 100pcs.

Technical Datasheet

Cable Ladder System

ULKE 80.500

the photorealistic images are to be considered as reference images

Physical Article Dimensions

Height	83.00 mm
Width	498 mm
Depth/length	35.00 mm

Packing Dimension

1 piece = 1 piece		✓ VP1-smallest packaging unit (PU)			
Lenght	35.00 mm	Width	498 mm	Height	83.00 mm
Gross weight	0,23 kg	Volume	0,001 m ³		
Min. quantity	1.00 pcs.	Max. Quantity	1.00 pcs.		

Tender Text

GRP end cover, pressed, for covering the GRP cable ladder ends, proportional fastening accessories at least 2 FKM 6X16 E4 to be ordered separately, halogen-free.

for GRP cable ladder : UL 80...

ULL 80...

Dimensions (approx. dimensions) H x W : 80 x 500 mm

Material : UP-GF (glass fibre reinforced polyester)

Colour : pebble grey RAL : 7032 (similar)

NIEDAX Model-No. : ULKE 80.500

EP Material _____ EP Wage _____

Unit price/piece

Safety & Environment

REACH Date	27.06.2024
REACH Info	Conformable
RoHS Info	Conformable

Origin & International Trade

Country of origin	FR
Customs tariff number	39259020