

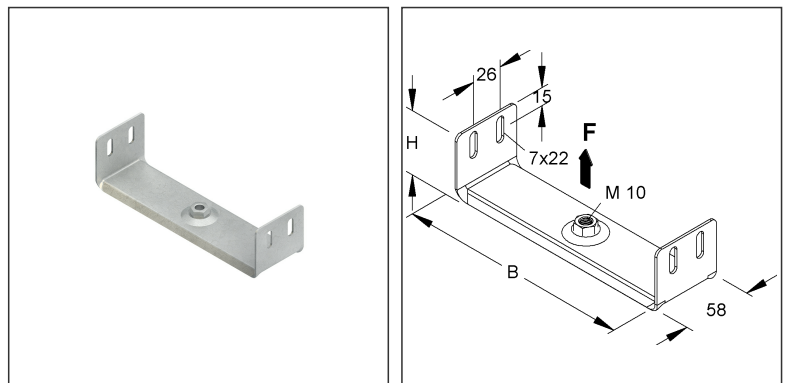
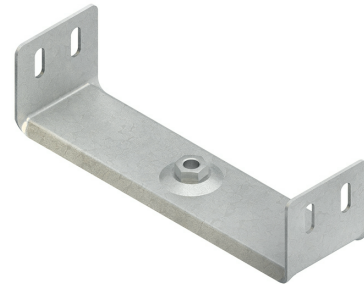
Suspension Bracket

for insertion

RTU 60.100

EAN Code: 4013339198801
Smallest packaging unit: 20 pcs.

the photorealistic images are to be considered as reference images



Article Description

Suspension bracket for insertion, 54x97 mm, steel, pre-galvanised according to DIN EN 10346

Additional Price Information

Article group	N13
quantity unit	pcs.

Weight

Weight per quantity unit	182 g / pcs.
Weight in kg per 100	18 kg / 100pcs.

Physical Article Dimensions

Height	54.00 mm
Width	96.50 mm
Depth/length	58.00 mm

Technical Datasheet

Supporting structure

RTU 60.100

the photorealistic images are to be considered as reference images

Packing Dimension

20 pieces = 1 carton		✓ VP1-smallest packaging unit (PU)	✓ VP1-preferred PU		
Lenght	250 mm	Width	250 mm	Height	70.00 mm
Gross weight	3,85 kg	Volume	0,004 m ³		
Min. quantity	20.00 pcs.	Max. Quantity	20.00 pcs.		

2160 pieces = 1 pallet					
Lenght	1200 mm	Width	800 mm	Height	1000 mm
Gross weight	430 kg	Volume	0,960 m ³		
Min. Quantity	2.160.00 pcs.	Max. Quantity	2.160.00 pcs.		

Tender Text

<p>Suspension bracket, for insertion in cable trays, centre hole with flange nut thread M 10 for connecting a threaded rod. The load-bearing capacity specifications apply only if sufficiently anchored to the load-bearing substrate. Used for : cable trays with 60 mm edge height and 70 mm width Dimensions (approx. dimensions) Height H x Width W : 54 x 96.5 mm Length L : 58 mm Connection thread : M 10 Load-bearing capacity F : 0.6 kN Material : Steel, pre-galvanised acc. to DIN EN 10346 NIEDAX Model No. : RTU 60.100 EP Material _____ EP Wage _____ Unit price/piece</p>

Safety & Environment

REACH Date	23.01.2024
REACH Info	Conformable
RoHS Info	Conformable

Origin & International Trade

Country of origin	DE
Customs tariff number	73089059