

### T-Piece

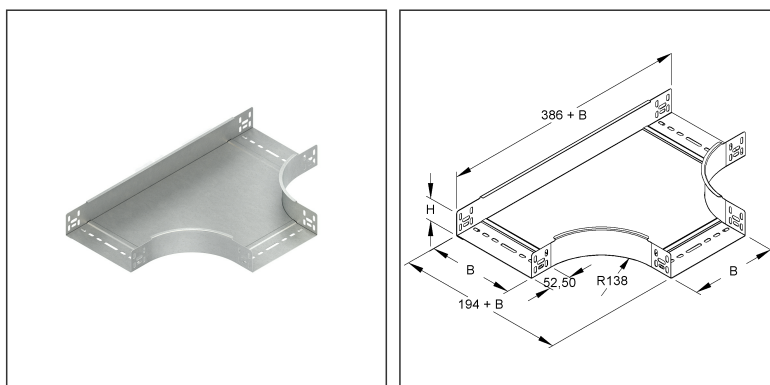
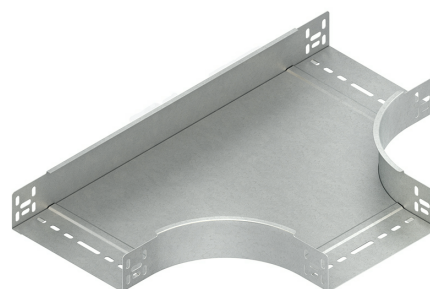
with unperforated side profiles, but with connector perforations, with integrated splice plates

### RTS 60.200

EAN Code: 4013339229000

Smallest packaging unit: 1 pc.

the photorealistic images are to be considered as reference images



### Article Description

T-piece for cable tray, 60x202 mm, with unperforated side beams, steel, pre-galvanised according to DIN EN 10346, incl. accessories

### Incl. accessories

<b>1 piece = 1 piece</b>	✓ lowest delivery unit	- preferred delivery unit
Model No.	Description	quantity
FLM 6X12	Mushroom-head bolt M6, similar DIN 603, length 12 mm, steel, electro galvanised according to DIN EN ISO 2081/4042, blue pass	10 pcs.
<b>60 piece = 1</b>	- lowest delivery unit	- preferred delivery unit
Model No.	Description	quantity
FLM 6X12	Mushroom-head bolt M6, similar DIN 603, length 12 mm, steel, electro galvanised according to DIN EN ISO 2081/4042, blue pass	600 pcs.

# Technical Datasheet

## Cable Tray System

RTS 60.200

the photorealistic images are to be considered as reference images

### Additional Price Information

Article group	N13
quantity unit	pcs.

### Weight

Weight per quantity unit	1,954 kg/ pcs.
Weight in kg per 100	195 kg/ 100pcs.

### Physical Article Dimensions

Height	62.00 mm
Width	394 mm
Depth/length	586 mm

### Packing Dimension

<b>1 piece = 1 piece</b>		✓ VP1-smallest packaging unit ( PU)			
Lenght	586 mm	Width	394 mm	Height	62.00 mm
Gross weight	1,95 kg	Volume	0,014 m <sup>3</sup>		
Min. quantity	1.00 pcs.	Max. Quantity	1.00 pcs.		

<b>60 pieces = 1</b>					
Lenght	1230 mm	Width	840 mm	Height	970 mm
Gross weight	187 kg	Volume	1,002 m <sup>3</sup>		
Min. Quantity	60.00 pcs.	Max. Quantity	60.00 pcs.		

### Tender Text

T-piece, with unperforated side beams, with connector perforation for connection, for cable trays, for the creation of horizontal 90° T-junctions, with integrated splice plates, including proportional fastening accessories. Please observe additional regulations for use in functional maintenance!

VDE certified!

for cable trays : 60 mm Edge height Dimensions (approx. dimensions) inside H x W : 60 x 202 mm

Inside beam radius R : 138 mm

Material : Steel, pre-galvanised acc. to DIN EN 10346

NIEDAX Model No. : RTS 60.200

EP Material\_\_\_\_\_ EP Wage\_\_\_\_\_

Unit price/piece

### Safety & Environment

REACH Date	23.01.2024
REACH Info	Conformable
RoHS Info	Conformable

# Technical Datasheet

## Cable Tray System

RTS 60.200

the photorealistic images are to be considered as reference images

### Origin & International Trade

Country of origin	DE
Customs tariff number	73089059

### Related items

#### Cover

Model No.	Description
RDHK 60 E2	Cover retaining clamp, height 58 mm, stainless steel, material code: 1.4310
RDRS 2	Turning bolt simply with locking nut acc. to DIN EN ISO 10511, steel, pre-galvanised according to DIN EN 10346, incl. accessories
RTSD 200	Cover for T-piece for cable tray, width 204 mm, steel, pre-galvanised according to DIN EN 10346
RTSDV 200	Cover for T-piece for cable tray, width 204 mm, with turning bolt, steel, pre-galvanised according to DIN EN 10346