

### T-Piece

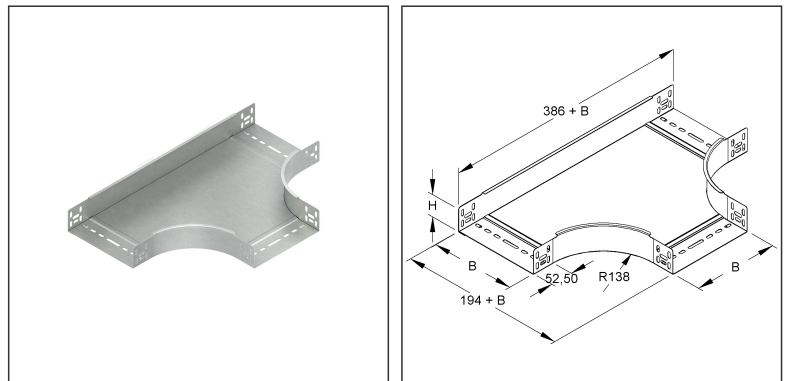
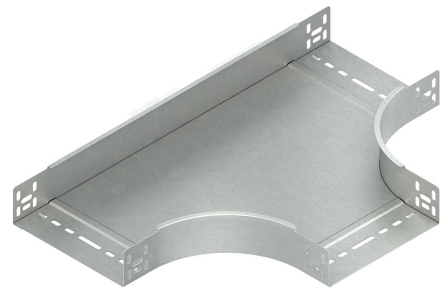
with unperforated side profiles, but with connector perforations, with integrated splice plates

### RTS 60.100

EAN Code: 4013339228805

Smallest packaging unit: 1 pc.

the photorealistic images are to be considered as reference images



### Article Description

T-piece for cable tray, 60x102 mm, with unperforated side beams, steel, pre-galvanised according to DIN EN 10346, incl. accessories

### Incl. accessories

<b>1 piece = 1 piece</b>	✓ lowest delivery unit	- preferred delivery unit
Model No.	Description	quantity
FLM 6X12	Mushroom-head bolt M6, similar DIN 603, length 12 mm, steel, electro galvanised according to DIN EN ISO 2081/4042, blue pass	8 pcs.
<b>150 piece = 1</b>	- lowest delivery unit	- preferred delivery unit
Model No.	Description	quantity
FLM 6X12	Mushroom-head bolt M6, similar DIN 603, length 12 mm, steel, electro galvanised according to DIN EN ISO 2081/4042, blue pass	1.200 pcs.

# Technical Datasheet

## Cable Tray System

RTS 60.100

the photorealistic images are to be considered as reference images

### Additional Price Information

Article group	N13
quantity unit	pcs.

### Weight

Weight per quantity unit	1,154 kg/ pcs.
Weight in kg per 100	115 kg/ 100pcs.

### Physical Article Dimensions

Height	62.00 mm
Width	294 mm
Depth/length	486 mm

### Packing Dimension

<b>1 piece = 1 piece</b>		✓ VP1-smallest packaging unit ( PU)			
Lenght	486 mm	Width	294 mm	Height	62.00 mm
Gross weight	1,15 kg	Volume	0,009 m <sup>3</sup>		
Min. quantity	1.00 pcs.	Max. Quantity	1.00 pcs.		

<b>150 pieces = 1</b>					
Lenght	1230 mm	Width	840 mm	Height	970 mm
Gross weight	243 kg	Volume	1,002 m <sup>3</sup>		
Min. Quantity	150.00 pcs.	Max. Quantity	150.00 pcs.		

### Tender Text

T-piece, with unperforated side beams, with connector perforation for connection, for cable trays, for the creation of horizontal 90° T-junctions, with integrated splice plates, including proportional fastening accessories. Please observe additional regulations for use in functional maintenance!

VDE certified!

for cable trays : 60 mm Edge height Dimensions (approx. dimensions) inside H x W : 60 x 102 mm

Inside beam radius R : 138 mm

Material : Steel, pre-galvanised acc. to DIN EN 10346

NIEDAX Model No. : RTS 60.100

EP Material \_\_\_\_\_ EP Wage \_\_\_\_\_

Unit price/piece

### Safety & Environment

REACH Date	23.01.2024
REACH Info	Conformable
RoHS Info	Conformable

# Technical Datasheet

## Cable Tray System

RTS 60.100

the photorealistic images are to be considered as reference images

### Origin & International Trade

Country of origin	DE
Customs tariff number	73089059

### Related items

#### Cover

Model No.	Description
RDHK 60 E2	Cover retaining clamp, height 58 mm, stainless steel, material code: 1.4310
RDRS 2	Turning bolt simply with locking nut acc. to DIN EN ISO 10511, steel, pre-galvanised according to DIN EN 10346, incl. accessories
RTSD 100	Cover for T-piece for cable tray, width 104 mm, steel, pre-galvanised according to DIN EN 10346
RTSDV 100	Cover for T-piece for cable tray, width 104 mm, with turning bolt, steel, pre-galvanised according to DIN EN 10346