

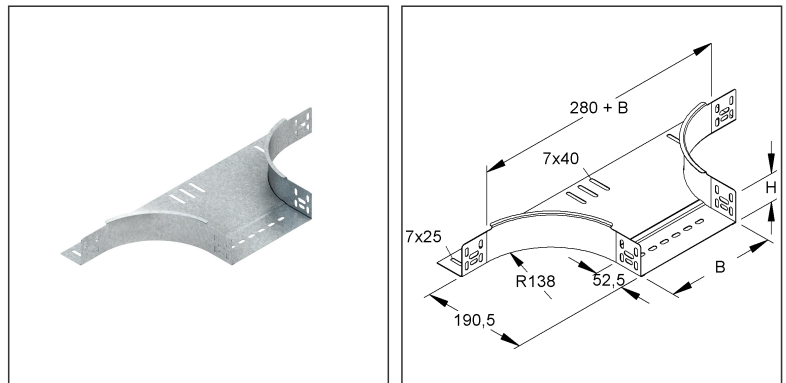
### Extension T-Piece

with unperforated side profiles, but with connector perforations, with integrated splice plates

### RTA 60.100

EAN Code: 4013339226801  
Smallest packaging unit: 1 pc.

the photorealistic images are to be considered as reference images



### Article Description

Extension T-piece for KR 60x102 mm, with unperforated side beams, steel, pre-galvanised according to DIN EN 10346, incl. accessories

### Incl. accessories

<b>1 piece = 1 piece</b>	✓ lowest delivery unit	- preferred delivery unit
Model No.	Description	quantity
FLM 6X12	Mushroom-head bolt M6, similar DIN 603, length 12 mm, steel, electro galvanised according to DIN EN ISO 2081/4042, blue pass	10 pcs.
<b>200 piece = 1</b>	- lowest delivery unit	- preferred delivery unit
Model No.	Description	quantity
FLM 6X12	Mushroom-head bolt M6, similar DIN 603, length 12 mm, steel, electro galvanised according to DIN EN ISO 2081/4042, blue pass	2.000 pcs.

# Technical Datasheet

## Cable Tray System

RTA 60.100

the photorealistic images are to be considered as reference images

### Additional Price Information

Article group	N13
quantity unit	pcs.

### Weight

Weight per quantity unit	793 g / pcs.
Weight in kg per 100	79 kg / 100pcs.

### Physical Article Dimensions

Height	62.00 mm
Width	242 mm
Depth/length	488 mm

### Packing Dimension

<b>1 piece = 1 piece</b>		✓ VP1-smallest packaging unit ( PU)			
Lenght	488 mm	Width	243 mm	Height	62.00 mm
Gross weight	0,79 kg	Volume	0,007 m <sup>3</sup>		
Min. quantity	1.00 pcs.	Max. Quantity	1.00 pcs.		

<b>200 pieces = 1</b>					
Lenght	1230 mm	Width	840 mm	Height	970 mm
Gross weight	228 kg	Volume	1,002 m <sup>3</sup>		
Min. Quantity	200.00 pcs.	Max. Quantity	200.00 pcs.		

### Tender Text

Extension T-piece, with unperforated side beams, with connector perforation for the connection, for cable trays, for creating horizontal 90° T-junctions and crossings of different or the same width, with integrated splice plates, including proportional fastening accessories, depending on width in the main direction. Please observe the additional regulations for use in functional maintenance!

for cable trays : 60 mm edge height Dimensions (approx. dimensions) inside H x W : 60 x 102 mm inner beam radius R : 138 mm Notching of cable trays : 280 mm + W

Material : Steel, pre-galvanised acc. to DIN EN 10346

NIEDAX Model No. : RTA 60.100

EP Material \_\_\_\_\_ EP Wage \_\_\_\_\_

Unit price/piece

### Safety & Environment

REACH Date	23.01.2024
REACH Info	Conformable
RoHS Info	Conformable

# Technical Datasheet

## Cable Tray System

RTA 60.100

the photorealistic images are to be considered as reference images

### Origin & International Trade

Country of origin	DE
Customs tariff number	73089059

### Related items

#### Cover

Model No.	Description
RDHK 60 E2	Cover retaining clamp, height 58 mm, stainless steel, material code: 1.4310
RDRS 2	Turning bolt simply with locking nut acc. to DIN EN ISO 10511, steel, pre-galvanised according to DIN EN 10346, incl. accessories
RTAD 100	Cover for extension T-piece for KR, width 104 mm, steel, pre-galvanised according to DIN EN 10346
RTADV 100	Cover for extension T-piece for KR, width 104 mm, with turning bolt, steel, pre-galvanised according to DIN EN 10346