

Cable Tray

unperforated, but with connector perforations

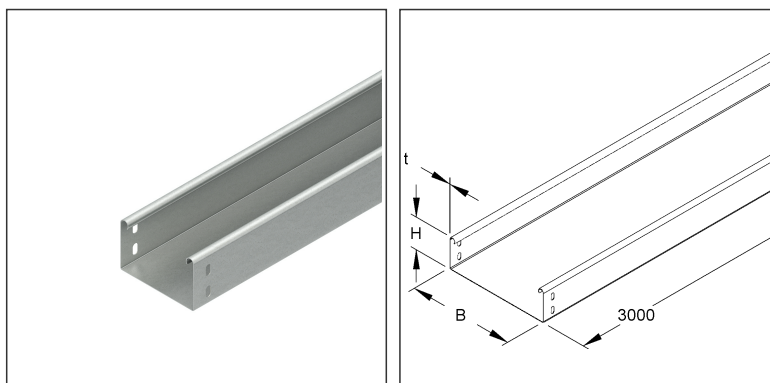
RLU 60.200 F

EAN Code: 4013339221608

Smallest packaging unit: 2 x 3 m

quantity unit: m M

the photorealistic images are to be considered as reference images



Article Description

Cable tray, 60x200x3000 mm, unperforated, steel, hot dip galvanised DIN EN ISO 1461, incl. accessories

Technical Datasheet

Cable Tray System

RLU 60.200 F

the photorealistic images are to be considered as reference images

Incl. accessories

3 meter = 1 piece		- lowest delivery unit	- preferred delivery unit
Model No.	Description	quantity	
1-FLM 6X12 F	Mushroom-head bolt M6, similar DIN 603, length 12 mm, steel, hot dip galvanised DIN EN ISO 1461	8 pcs.	
1-RV 60.200 F	Splice plate, single, U-shaped, 49x196 mm, steel, hot dip galvanised DIN EN ISO 1461, incl. accessories	1 pcs.	
6 meter = 1 bundle		✓ lowest delivery unit	✓ preferred delivery unit
Model No.	Description	quantity	
FLM 6X12 F	Mushroom-head bolt M6, similar DIN 603, length 12 mm, steel, hot dip galvanised DIN EN ISO 1461	16 pcs.	
RV 60.200 F	Splice plate, single, U-shaped, 49x196 mm, steel, hot dip galvanised DIN EN ISO 1461, incl. accessories	2 pcs.	
360 meter = 1 rack		- lowest delivery unit	- preferred delivery unit
Model No.	Description	quantity	
FLM 6X12 F	Mushroom-head bolt M6, similar DIN 603, length 12 mm, steel, hot dip galvanised DIN EN ISO 1461	960 pcs.	
RV 60.200 F	Splice plate, single, U-shaped, 49x196 mm, steel, hot dip galvanised DIN EN ISO 1461, incl. accessories	120 pcs.	

Additional Price Information

Article group	N13
quantity unit	m

Weight

Weight per quantity unit	2,766 kg / m
Weight in kg per 100	277 kg / 100m

Physical Article Dimensions

Height	60.00 mm
Width	200.00 mm
Depth/length	3000 mm

Technical Datasheet

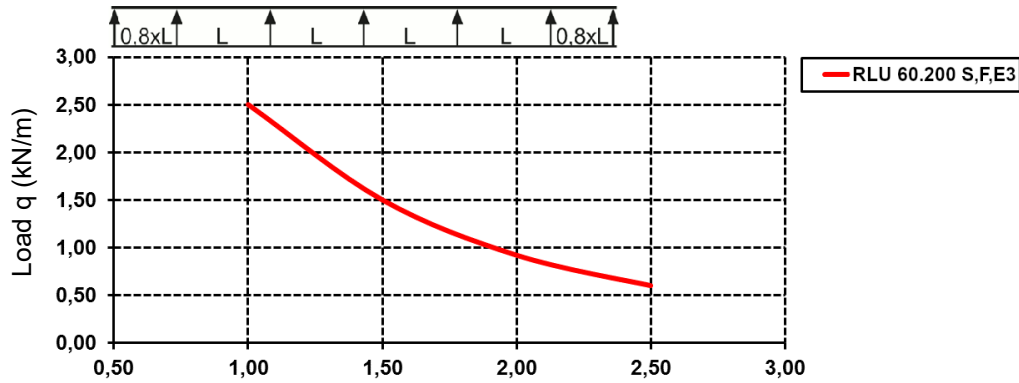
Cable Tray System

RLU 60.200 F

the photorealistic images are to be considered as reference images

Load Specifications

Load diagram: q = evenly distributed cable load (tested acc. to DIN IEC 61537)



Fixing distance (m)

The load details shown in the diagram are independent of the position of the connectors.

Packing Dimension

6 meters = 1 bundle

✓ VP1-smallest packaging unit (PU) ✓ VP1-preferred PU

Lenght	3000 mm	Width	205 mm	Height	65.00 mm
Gross weight	17 kg	Volume	0,040 m ³		
Min. quantity	6.00 m	Max. Quantity	6.00 m		

360 meters = 1 rack

Lenght	3000 mm	Width	1162 mm	Height	1120 mm
Gross weight	1094 kg	Volume	3,904 m ³		
Min. Quantity	360.00 m	Max. Quantity	360.00 m		

Tender Text

Cable tray, acc. to DIN EN 61537, with unperforated side beams, with connector perforation for connection, including one-piece U-shaped splice plate RV 60... and proportional fastening accessories in hot-dip galvanised.

Dimensions (approx. dimensions) H x W : 60 x 200 mm

Material thickness : 0.9 mm

Delivery length : 3000 mm

Usable cross section : 11800 mm²

Material : Steel, hot-dip galvanised acc. to DIN EN ISO 1461

NIEDAX Model No. : RLU 60.200 F

EP Material _____ EP Wage _____

Unit price/meter

Safety & Environment

REACH Date	04.02.2026
REACH Info	Conformable
RoHS Info	Conformable

Technical Datasheet

Cable Tray System

RLU 60.200 F

the photorealistic images are to be considered as reference images

Origin & International Trade

Country of origin	DE
Customs tariff number	73089059

Related items

Cover

Model No.	Description
RD 200 F	Cover for cable tray/-ladder, with joint strip, 202x3000 mm, steel, hot dip galvanised DIN EN ISO 1461
RDHF 9 E2	Cover clamp, stainless steel, material code: 1.4310
RDHK 60 E2	Cover retaining clamp, height 58 mm, stainless steel, material code: 1.4310
RDRS 9 F	Turning bolt with locking nut acc. to DIN EN ISO 10511, steel, hot dip galvanised DIN EN ISO 1461, incl. accessories
RDV 200 F	Cover for cable tray/-ladder, with joint strip, 202x3000 mm, steel, hot dip galvanised DIN EN ISO 1461

Barrier strip

Model No.	Description
RW 50 F	Barrier strip, 47x3000 mm, t=0,75 mm, steel, hot dip galvanised DIN EN ISO 1461, incl. accessories
RW 60 F	Barrier strip, 55x3000 mm, t=0,75 mm, steel, hot dip galvanised DIN EN ISO 1461, incl. accessories