

### Cable Tray

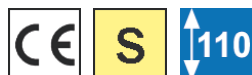
unperforated, but with connector perforations

### RLU 110.400

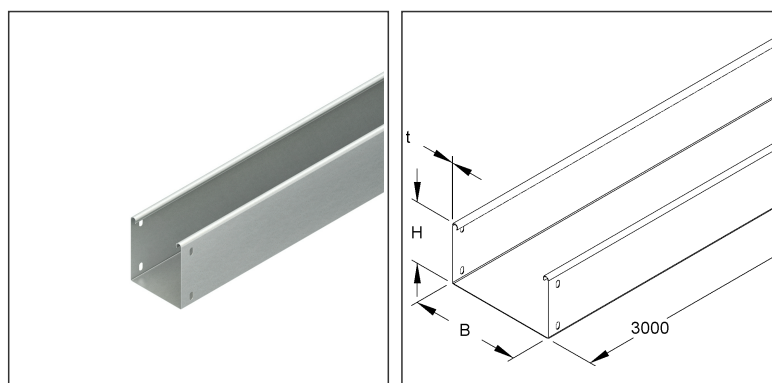
EAN Code: 4013339244300

Smallest packaging unit: 2 x 3 m

quantity unit: m M



the photorealistic images are to be considered as reference images



### Article Description

Cable tray, 110x400x3000 mm, unperforated, steel, pre-galvanised according to DIN EN 10346, incl. accessories

# Technical Datasheet

## Cable Tray System

RLU 110.400

the photorealistic images are to be considered as reference images

### Incl. accessories

3 meter = 1 piece		- lowest delivery unit	- preferred delivery unit
Model No.	Description	quantity	
1-FLM 6X12	Mushroom-head bolt M6, similar DIN 603, length 12 mm, steel, electro galvanised according to DIN EN ISO 2081/4042, blue pass	12 pcs.	
1-RV 110.400	Splice plate, single, U-shaped, 99x397 mm, steel, pre-galvanised according to DIN EN 10346, incl. accessories	1 pcs.	
6 meter = 1 bundle		✓ lowest delivery unit	✓ preferred delivery unit
Model No.	Description	quantity	
FLM 6X12	Mushroom-head bolt M6, similar DIN 603, length 12 mm, steel, electro galvanised according to DIN EN ISO 2081/4042, blue pass	24 pcs.	
RV 110.400	Splice plate, single, U-shaped, 99x397 mm, steel, pre-galvanised according to DIN EN 10346, incl. accessories	2 pcs.	
96 meter = 1 rack		- lowest delivery unit	- preferred delivery unit
Model No.	Description	quantity	
FLM 6X12	Mushroom-head bolt M6, similar DIN 603, length 12 mm, steel, electro galvanised according to DIN EN ISO 2081/4042, blue pass	384 pcs.	
RV 110.400	Splice plate, single, U-shaped, 99x397 mm, steel, pre-galvanised according to DIN EN 10346, incl. accessories	32 pcs.	

### Additional Price Information

Article group	N13
quantity unit	m

### Weight

Weight per quantity unit	5,209 kg / m
Weight in kg per 100	521 kg / 100m

### Physical Article Dimensions

Height	110.00 mm
Width	400 mm
Depth/length	3000 mm

# Technical Datasheet

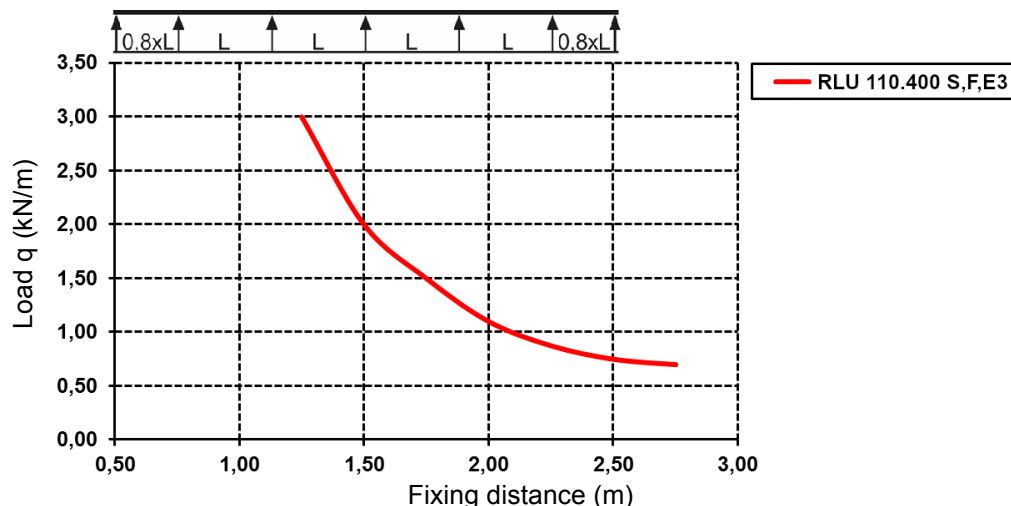
## Cable Tray System

RLU 110.400

the photorealistic images are to be considered as reference images

### Load Specifications

Load diagram:  $q$  = evenly distributed cable load (tested acc. to DIN EN IEC 61537)



### Packing Dimension

<b>6 meters = 1 bundle</b>		✓ VP1-smallest packaging unit ( PU)	✓ VP1-preferred PU		
Lenght	3000 mm	Width	405 mm	Height	115.00 mm
Gross weight	31 kg	Volume	0,140 m <sup>3</sup>		
Min. quantity	6.00 m	Max. Quantity	6.00 m		
<b>96 meters = 1 rack</b>					
Lenght	3000 mm	Width	1162 mm	Height	1120 mm
Gross weight	598 kg	Volume	3,904 m <sup>3</sup>		
Min. Quantity	96.00 m	Max. Quantity	96.00 m		

### Tender Text

Cable tray acc. to DIN EN 61537, unperforated, with connector perforation for connection, including one-piece U-shaped splice plate RV 110... and proportional fastening accessories.  
 Dimensions (approx. dimensions) H x W : 110 x 400 mm  
 Material thickness  $t$  : 1 mm  
 Delivery length  $L$  : 3000 mm  
 Usable cross-section : 43800 mm<sup>2</sup>  
 Material : Steel, pre-galvanised acc. to DIN EN 10346  
 NIEDAX Model No. : RLU 110.400  
 EP Material \_\_\_\_\_ EP Wage \_\_\_\_\_  
 Unit price/meter

### Safety & Environment

REACH Date	27.06.2024
REACH Info	Conformable
RoHS Info	Conformable

# Technical Datasheet

## Cable Tray System

RLU 110.400

the photorealistic images are to be considered as reference images

### Origin & International Trade

Country of origin	DE
Customs tariff number	73089059

### Related items

#### Cover

Model No.	Description
RD 400	Cover for cable tray/-ladder, with joint strip, 402x3000 mm, steel, pre-galvanised according to DIN EN 10346
RDHF 9 E2	Cover clamp, stainless steel, material code: 1.4310
RDHK 110 E2	Cover retaining clamp, height 108 mm, stainless steel, material code: 1.4310
RDRS 9	Turning bolt with locking nut acc. to DIN EN ISO 10511, steel, pre-galvanised according to DIN EN 10346, incl. accessories
RDV 400	Cover for cable tray/-ladder, with joint strip, 402x3000 mm, steel, pre-galvanised according to DIN EN 10346

#### Barrier strip

Model No.	Description
RW 110	Barrier strip, 98x3000 mm, t=0,9 mm, steel, pre-galvanised according to DIN EN 10346, incl. accessories