

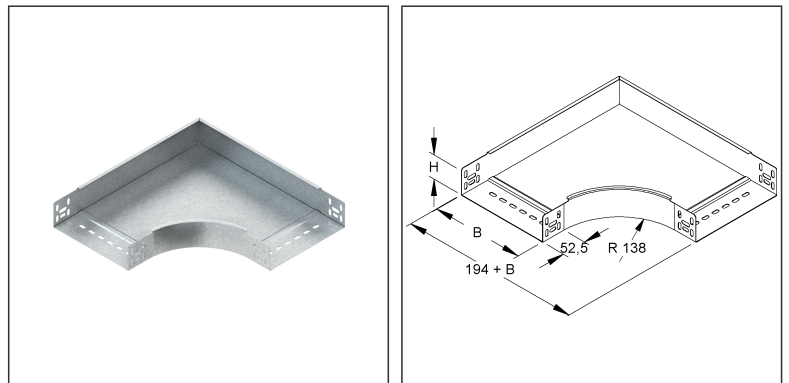
Elbow 90°

with unperforated side profiles, but with connector perforations, with integrated splice plates

RES 60.200

EAN Code: 4013339226207
Smallest packaging unit: 1 pc.

the photorealistic images are to be considered as reference images



Article Description

Elbow 90° for cable tray, 60x202 mm, with unperforated side beams, steel, pre-galvanised according to DIN EN 10346, incl. accessories

Incl. accessories

1 piece = 1 piece	✓ lowest delivery unit	- preferred delivery unit
Model No.	Description	quantity
FLM 6X12	Mushroom-head bolt M6, similar DIN 603, length 12 mm, steel, electro galvanised according to DIN EN ISO 2081/4042, blue pass	5 pcs.
100 piece = 1	- lowest delivery unit	- preferred delivery unit
Model No.	Description	quantity
FLM 6X12	Mushroom-head bolt M6, similar DIN 603, length 12 mm, steel, electro galvanised according to DIN EN ISO 2081/4042, blue pass	500 pcs.

Technical Datasheet

Cable Tray System

RES 60.200

the photorealistic images are to be considered as reference images

Additional Price Information

Article group	N13
quantity unit	pcs.

Weight

Weight per quantity unit	1,605 kg/ pcs.
Weight in kg per 100	160 kg/ 100pcs.

Physical Article Dimensions

Height	62.00 mm
Width	394 mm
Depth/length	394 mm

Packing Dimension

1 piece = 1 piece		✓ VP1-smallest packaging unit (PU)			
Lenght	394 mm	Width	394 mm	Height	62.00 mm
Gross weight	1,6 kg	Volume	0,010 m³		
Min. quantity	1.00 pcs.	Max. Quantity	1.00 pcs.		

100 pieces = 1					
Lenght	1230 mm	Width	840 mm	Height	970 mm
Gross weight	230 kg	Volume	1,002 m³		
Min. Quantity	100.00 pcs.	Max. Quantity	100.00 pcs.		

Tender Text

Elbow 90°, with non-perforated side beams, with connector perforation for connection, for cable trays, for creating horizontal 90° corner joints, with integrated splice plice, including proportional fastening accessories Please observe additional regulations for use in functional maintenance!

VDE certified!

for cable trays : 60 mm Edge height Dimensions (approx. dimensions) inside H x W : 60 x 202 mm Inner beam radius R : 138 mm

Material : Steel, pre-galvanised acc. to DIN EN 10346

NIEDAX Model No. : RES 60.200

EP Material_____ EP Wage_____

Unit price/piece

Safety & Environment

REACH Date	23.01.2024
REACH Info	Conformable
RoHS Info	Conformable

Technical Datasheet

Cable Tray System

RES 60.200

the photorealistic images are to be considered as reference images

Origin & International Trade

Country of origin	DE
Federal State of Origin	RP
Customs tariff number	73089059

Related items

Cover

Model No.	Description
RDHK 60 E2	Cover retaining clamp, height 58 mm, stainless steel, material code: 1.4310
RDRS 2	Turning bolt simply with locking nut acc. to DIN EN ISO 10511, steel, pre-galvanised according to DIN EN 10346, incl. accessories
RESD 200	Cover for elbow 90° for cable tray, width 204 mm, steel, pre-galvanised according to DIN EN 10346
RESDV 200	Cover for elbow 90° for cable tray, width 204 mm, with turning lock, steel, pre-galvanised according to DIN EN 10346