

Elbow 90°

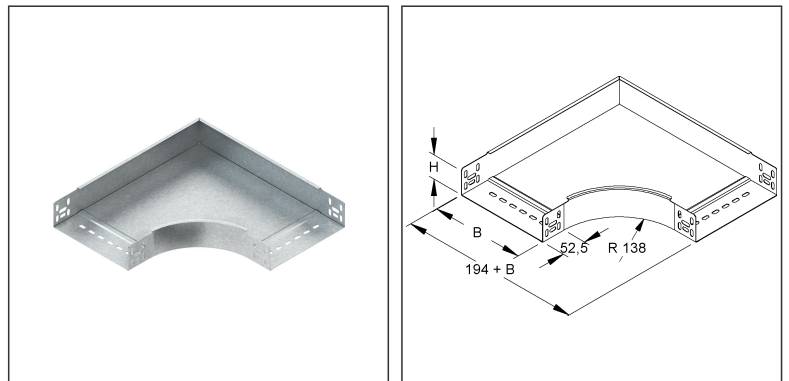
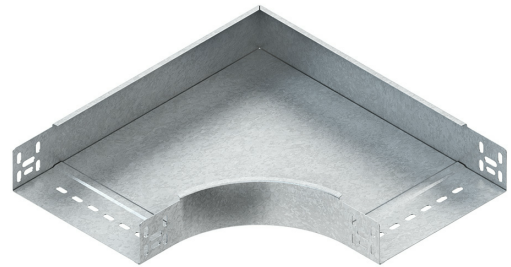
with unperforated side profiles, but with connector perforations, with integrated splice plates

RES 60.100

EAN Code: 4013339226009

Smallest packaging unit: 1 pc.

the photorealistic images are to be considered as reference images



Article Description

Elbow 90° for cable tray, 60x102 mm, with unperforated side beams, steel, pre-galvanised according to DIN EN 10346, incl. accessories

Incl. accessories

1 piece = 1 piece	✓ lowest delivery unit	- preferred delivery unit
Model No.	Description	quantity
FLM 6X12	Mushroom-head bolt M6, similar DIN 603, length 12 mm, steel, electro galvanised according to DIN EN ISO 2081/4042, blue pass	4 pcs.
200 piece = 1	- lowest delivery unit	- preferred delivery unit
Model No.	Description	quantity
FLM 6X12	Mushroom-head bolt M6, similar DIN 603, length 12 mm, steel, electro galvanised according to DIN EN ISO 2081/4042, blue pass	800 pcs.

Technical Datasheet

Cable Tray System

RES 60.100

the photorealistic images are to be considered as reference images

Additional Price Information

Article group	N13
quantity unit	pcs.

Weight

Weight per quantity unit	904 g / pcs.
Weight in kg per 100	90 kg / 100pcs.

Physical Article Dimensions

Height	62.00 mm
Width	294 mm
Depth/length	294 mm

Packing Dimension

1 piece = 1 piece		✓ VP1-smallest packaging unit (PU)			
Lenght	294 mm	Width	294 mm	Height	62.00 mm
Gross weight	0,9 kg	Volume	0,005 m ³		
Min. quantity	1.00 pcs.	Max. Quantity	1.00 pcs.		

200 pieces = 1					
Lenght	1230 mm	Width	840 mm	Height	970 mm
Gross weight	251 kg	Volume	1,002 m ³		
Min. Quantity	200.00 pcs.	Max. Quantity	200.00 pcs.		

Tender Text

Elbow 90°, with non-perforated side beams, with connector perforation for connection, for cable trays, for creating horizontal 90° corner joints, with integrated splice plice, including proportional fastening accessories Please observe additional regulations for use in functional maintenance!

VDE certified!

for cable trays : 60 mm edge height

Dimensions (approx. dimensions) inside H x W : 60 x 102 mm

Inner beam radius R : 138 mm

Material : Steel, pre-galvanised acc. to DIN EN 10346

NIEDAX Model No. : RES 60.100

EP Material_____ EP Wage_____

Unit price/piece

Safety & Environment

REACH Date	23.01.2024
REACH Info	Conformable
RoHS Info	Conformable

Technical Datasheet

Cable Tray System

RES 60.100

the photorealistic images are to be considered as reference images

Origin & International Trade

Country of origin	DE
Federal State of Origin	RP
Customs tariff number	73089059

Related items

Cover

Model No.	Description
RDHK 60 E2	Cover retaining clamp, height 58 mm, stainless steel, material code: 1.4310
RDRS 2	Turning bolt simply with locking nut acc. to DIN EN ISO 10511, steel, pre-galvanised according to DIN EN 10346, incl. accessories
RESD 100	Cover for elbow 90° for cable tray, width 104 mm, steel, pre-galvanised according to DIN EN 10346
RESDV 100	Cover for elbow 90° for cable tray, width 104 mm, with turning lock, steel, pre-galvanised according to DIN EN 10346