

Wire Mesh Tray

U-shaped, spot-welded from steel wires, with welded connector

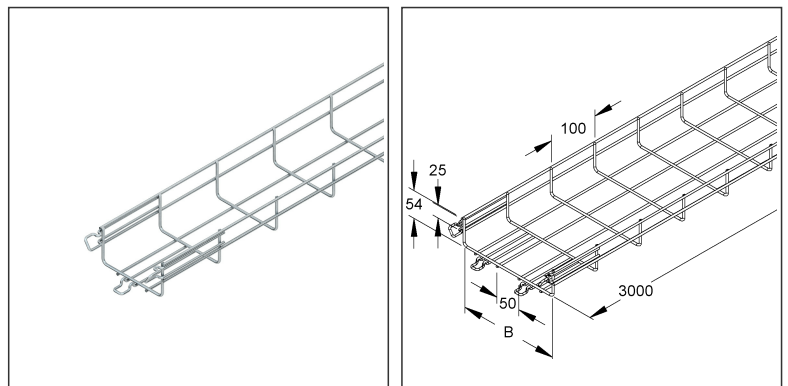
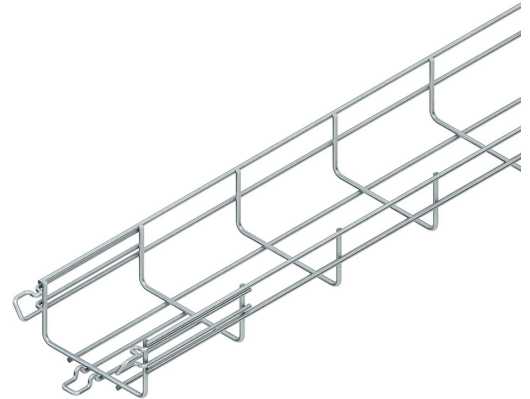
MTC 54.100 V NX **CITO**Line

EAN Code: 4013339711277

Smallest packaging unit: 3 m

quantity unit: m M

the photorealistic images are to be considered as reference images



Article Description

Wire mesh tray, U-shaped, w. welded connector, 54x100x3000 mm, CITO, steel, electro galvanised according DIN EN ISO 2081, blue passivated

Additional Price Information

Article group	N13
quantity unit	m

Weight

Weight per quantity unit	767 g / m
Weight in kg per 100	77 kg / 100m

Technical Datasheet

Wire Mesh Tray System

MTC 54.100 V NX CITO Line

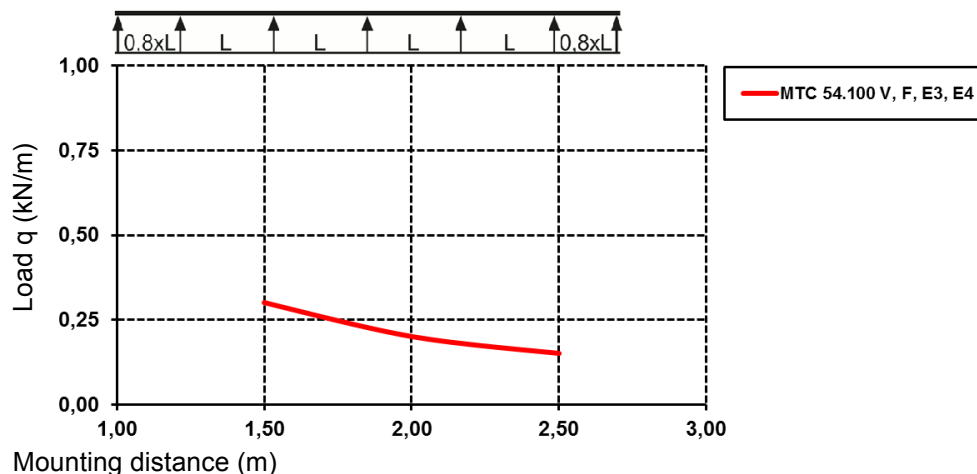
the photorealistic images are to be considered as reference images

Physical Article Dimensions

Height	58.90 mm
Width	115.60 mm
Depth/length	3026 mm

Load Specifications

Load diagram: q = evenly distributed cable load (tested acc. to DIN EN IEC 61537)



Mounting distance (m)

The load details shown in the diagram are independent of the position of the connectors.

Packing Dimension

3 meters = 1 piece		✓ VP1-smallest packaging unit (PU)			
Lenght	3027 mm	Width	116.00 mm	Height	59.00 mm
Gross weight	2,3 kg	Volume	0,021 m ³		
Min. quantity	3.00 m	Max. Quantity	3.00 m		

6 meters = 1 bundle					
Lenght	3027 mm	Width	121.00 mm	Height	64.00 mm
Gross weight	4,6 kg	Volume	0,023 m ³		
Min. Quantity	6.00 m	Max. Quantity	6.00 m		

630 meters = 1 rack					
Lenght	3027 mm	Width	1162 mm	Height	1120 mm
Gross weight	581 kg	Volume	3,939 m ³		
Min. Quantity	630.00 m	Max. Quantity	630.00 m		

Tender Text

Wire mesh tray according to DIN EN 61537, U-shaped, made of steel wires, spot-welded, for quick fixing with welded splice plates in the sides and bottom. VDE certified! For use in functional integrity maintenance, please observe additional regulations!

Dimensions (approx. dimensions) Nominal dimension H x W (inside) : 54 x 100 mm

Technical Datasheet

Wire Mesh Tray System

MTC 54.100 V NX CITO Line

the photorealistic images are to be considered as reference images

Tender Text

Longitudinal wire Ø : 3.9 mm
 Bottom longitudinal wire spacing : 50 mm
 Transverse wire Ø : 3.9 mm
 Transverse wire spacing : 100 mm
 Delivery length L : 3000 mm
 Usable cross-section : 5110 mm²
 Material : Steel, galvanised according to DIN EN ISO 2081, blue passivated
 NIEDAX Model No. : MTC 54.100 V
 EP Material _____ EP Wage _____
 Unit price/metre

Safety & Environment

REACH Date	23.01.2024
REACH Info	Conformable
RoHS Info	Conformable

Origin & International Trade

Country of origin	CH
Customs tariff number	73089098

Related items

Cover

Model No.	Description
GRDHL 30 S	Cover retaining lug for cover wire mesh tray, steel, pre-galvanised according to DIN EN 10346
GTD 100 S	Cover for wire mesh tray, 100x3000 mm, steel, mill gal., acc. DIN EN 10346
MTCC 100/7.5° S	Cover for MTC wire mesh tray, 111,2x3000 mm, 7,5° tilt angle, steel, pre-galvanised according to DIN EN 10346

Barrier strip

Model No.	Description
GRTB 6 S	Barrier strip fastening clamp, steel, pre-galvanised according to DIN EN 10346
GRVC 14	Barrier strip fastening clamp, steel, pre-galvanised according to DIN EN 10346, incl. accessories
RW 50	Barrier strip, 47x3000 mm, t=0,75 mm, steel, pre-galvanised according to DIN EN 10346, incl. accessories
RW 60	Barrier strip, 55x3000 mm, t=0,75 mm, steel, pre-galvanised according to DIN EN 10346, incl. accessories