

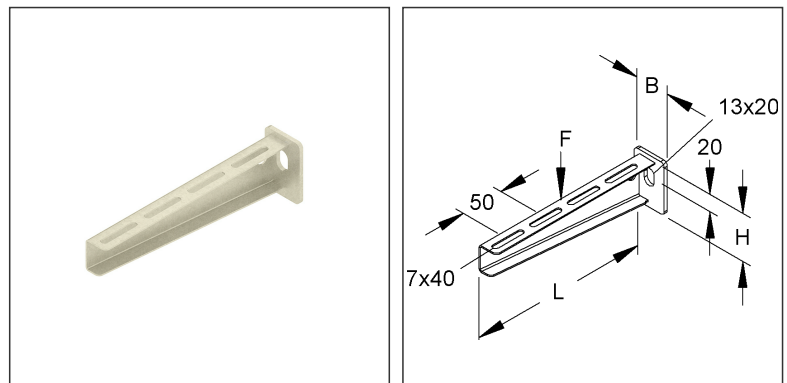
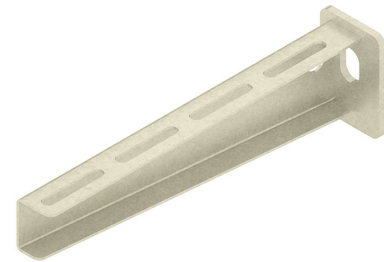
Overhead Hanger- and Wall Bracket

epoxied, standard

KTA 100 C1KG

EAN Code: 4013339967209
Smallest packaging unit: 1 pc.

the photorealistic images are to be considered as reference images



Article Description

Overhead hanger- and wall bracket, standard, 45x110 mm, 2,5 kN,

Incl. accessories

1 piece = 1 piece

✓ lowest delivery unit

– preferred delivery unit

Model No.	Description	quantity
FLM 6X12 E5	Mushroom-head bolt M6, similar DIN 603, length 12 mm, stainless steel, material 1.4571, AISI 316Ti, incl. toothed flange nut	2 pcs.

Excl. Accessories

exclusive bolting	Please order the necessary fastening accessories separately: for cable trays KK... und KP...: 2 FKM 6X20 E4 for cable ladders UL...: 2 ULKG, 2 BKM 6X30 E4, 2 UGM 6 E5 alternative 2 HSK 10 E5, 2 BKM 6X30 E4, 2 UGM 6 E5
-------------------	--

Technical Datasheet

Supporting structure

KTA 100 C1KG

the photorealistic images are to be considered as reference images

Additional Price Information

Article group	N13
quantity unit	pcs.

Weight

Weight per quantity unit	163 g / pcs.
Weight in kg per 100	16 kg / 100pcs.

Physical Article Dimensions

Height	50.00 mm
Width	40.00 mm
Depth/length	114.00 mm

Packing Dimension

1 piece = 1 piece		✓ VP1-smallest packaging unit (PU)			
Lenght	114.00 mm	Width	40.00 mm	Height	50.00 mm
Gross weight	0,16 kg	Volume	0,000 m³		
Min. quantity	1.00 pcs.	Max. Quantity	1.00 pcs.		

Tender Text

Overhead hanger and wall bracket, standard, for wall and overhead hanger mounting, including proportional fastening accessories in stainless steel, material no. 1.4571, AISI 316Ti.

The load-bearing capacity data only apply if the bracket is sufficiently anchored to the load-bearing underground or if it is mounted on overhead hangers in accordance with regulations.

Dimensions (approx. dimensions)

Support height H : 45 mm

Support length L : 110 mm

Load capacity F at L/2 : 2.5 kN tested in the system

Colour : pebble grey

RAL : 7032 (similar)

Surface coating : Epoxy polyester resin coating 60 - 80 µm, halogen-free

Material of the bracket : steel, hot-dip galvanised acc. to DIN EN ISO 1461

NIEDAX Model No. : KTA 100 C1KG

EP Material _____ EP Wage _____

Unit price/piece

Safety & Environment

REACH Date	04.02.2026
REACH Info	Conformable
RoHS Info	Conformable

Technical Datasheet

Supporting structure

KTA 100 C1KG

the photorealistic images are to be considered as reference images

Origin & International Trade

Country of origin	DE
Customs tariff number	73089059