

Elbow, adjustable

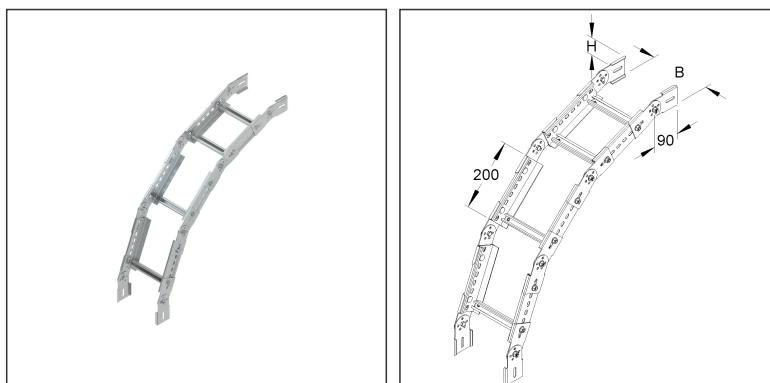
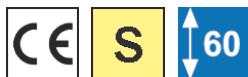
vertical

KGS 60.503

EAN Code: 4013339294008

Smallest packaging unit: 1 pc.

the photorealistic images are to be considered as reference images



Article Description

Elbow for cable ladder, adjustable, vertical, 60x500 mm, steel, pre-galvanised according to DIN EN 10346, incl. accessories

Incl. accessories

1 piece = 1 piece

✓ lowest delivery unit

– preferred delivery unit

Model No.	Description	quantity
KGV 60 S	Joint connector for cable ladder, vertical, height 60 mm, steel, pre-galvanised according to DIN EN 10346, incl. accessories	8 pcs.

Additional Price Information

Article group	N13
quantity unit	pcs.

Technical Datasheet

Cable Ladder System

KGS 60.503

the photorealistic images are to be considered as reference images

Weight

Weight per quantity unit	4,641 kg/ pcs.
Weight in kg per 100	464 kg/ 100pcs.

Physical Article Dimensions

Height	65.00 mm
Width	500 mm
Depth/length	

Packing Dimension

1 piece = 1 piece		✓ VP1-smallest packaging unit (PU)	
Width	500 mm	Height	65.00 mm
Gross weight	4,64 kg		
Min. quantity	1.00 pcs.	Max. Quantity	1.00 pcs.

Tender Text

Elbow, adjustable, vertical, with continuously perforated and profiled side beams, with riveted rungs made of C-profiles with 11 mm slot width, for cable ladders, for rising and falling cable ladder assembly, including proportional adjustabel splice plates KGV 60... and proportional fastening accessories in hot-dip galvanised. You will find suitable U-clamps (BA... and BAK...) in the KI catalogue.

for cable ladder : KL 60...

Delivery : unassembled

Dimensions (approx. dimensions)

H x W : 60 x 500 mm

Material : Steel, pre-galvanised acc. to DIN EN 10346

NIEDAX Model No. : KGS 60.503

EP Material_____ EP Wage_____

Unit price/piece

Safety & Environment

REACH Date	27.06.2024
REACH Info	Conformable
RoHS Info	Conformable

Origin & International Trade

Country of origin	DE
Federal State of Origin	RP
Customs tarif number	73089059