

Snap Element

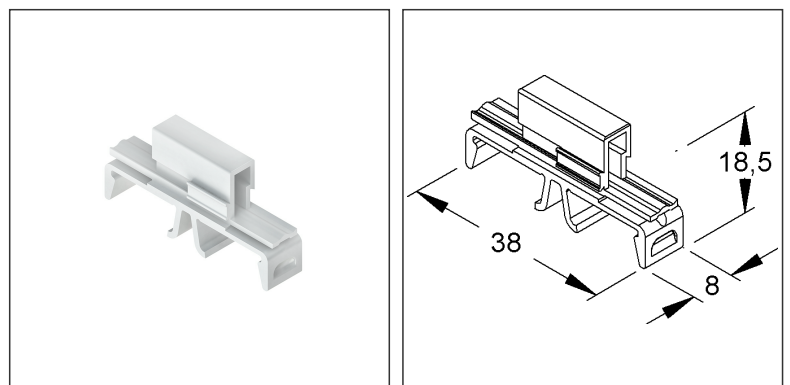
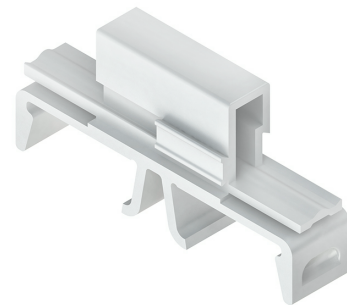
2 rows can be fitted, with guide slots for inserting labelling strips

1001.BEF

As long as there is still in stock

EAN Code: 4011126208023
Smallest packaging unit: 5 pcs.

the photorealistic images are to be considered as reference images



Article Description

Snap element, Kunststoff PP

Additional Price Information

Article group	K312
quantity unit	pcs.

Weight

Weight per quantity unit	2 g / pcs.
Weight in kg per 100	0,13 kg/ 100pcs.

Technical Datasheet

Clamps

1001.BEF

the photorealistic images are to be considered as reference images

Physical Article Dimensions

Height	19.00 mm
Width	38.00 mm
Depth/length	10.00 mm

Packing Dimension

1 piece = 1 piece		✓ VP1-smallest packaging unit (PU)			
Lenght	10.00 mm	Width	38.00 mm	Height	19.00 mm
Gross weight	0 kg	Volume	0,000 m ³		
Min. quantity	1.00 pcs.	Max. Quantity	1.00 pcs.		
5 pieces = 1		✓ VP2-preferred PU			
Gross weight	0,01 kg				
Min. Quantity	5.00 pcs.	Max. Quantity	5.00 pcs.		
50 pieces = 1					
Lenght	106.00 mm	Width	91.00 mm	Height	72.00 mm
Gross weight	0,1 kg	Volume	0,001 m ³		
Min. Quantity	50.00 pcs.	Max. Quantity	50.00 pcs.		

Tender Text

Snap-on element, can be fitted in 2 rows, with guide slots for insertion of labelling strips, for fastening MINCOM connection terminals to 35 mm mounting rail according to DIN EN 60715, halogen-free.

Material : Polypropylene

Kleinhuis Model No. : 1001.BEF

EP Material _____ EP Wage _____

Unit price/piece

Safety & Environment

REACH Date	27.06.2024
REACH Info	Conformable
RoHS Info	Conformable

Origin & International Trade

Country of origin	DE
Customs tariff number	85369010