

MINCOM-Connection Terminal

fully insulated

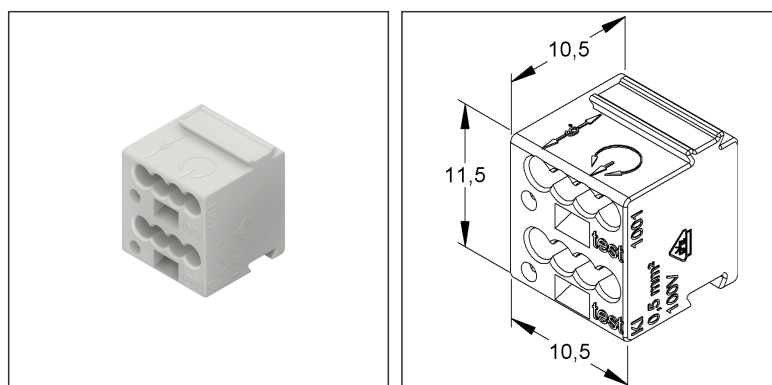
1001.8.05

As long as there is still in stock

EAN Code: 4011126193800

Smallest packaging unit: 50 pcs.

the photorealistic images are to be considered as reference images



Article Description

MINCOM-connection terminal, height 11,5 mm, clamping range 0,28-0,5 mm, Kunststoff PA, RAL 3002, kaminrot

Additional Price Information

Article group	K312
quantity unit	pcs.

Weight

Weight per quantity unit	2 g / pcs.
Weight in kg per 100	0,16 kg/ 100pcs.

Technical Datasheet

Clamps

1001.8.05

the photorealistic images are to be considered as reference images

Physical Article Dimensions

Height	13.00 mm
Width	11.00 mm
Depth/length	11.00 mm

Packing Dimension

1 piece = 1 piece		✓ VP1-smallest packaging unit (PU)			
Lenght	11.00 mm	Width	11.00 mm	Height	13.00 mm
Gross weight	0 kg	Volume	0,000 m ³		
Min. quantity	1.00 pcs.	Max. Quantity	1.00 pcs.		
50 pieces = 1		✓ VP2-preferred PU			
Lenght	60.00 mm	Width	53.00 mm	Height	42.00 mm
Gross weight	0,1 kg	Volume	0,000 m ³		
Min. Quantity	50.00 pcs.	Max. Quantity	50.00 pcs.		
500 pieces = 1 covering box					
Lenght	218 mm	Width	150.00 mm	Height	74.00 mm
Gross weight	1,03 kg	Volume	0,002 m ³		
Min. Quantity	500.00 pcs.	Max. Quantity	500.00 pcs.		

Tender Text

MINCOM connection terminal, fully insulated, for low-current installations, halogen-free.
Dimensions (approx. dimensions) H x W x D : 11.5 x 10.5 x 10.5 mm
Clamping range solid : 0.2 - 0.5 mm²
Connection options solid : 1 x 0.2 mm², 1 x 0.34 mm², 1 x 0.5 mm²
Clamping points : 8 Material of insulating part : PA
Material of clamping spring : copper alloy, tinned
Temperature resistance : -30° to 100°C
Rated voltage : 100 V
Colour: chimney red RAL: 3002 (similar)
Kleinhuis Model no. : 1001.8.05
EP Material_____ EP Wage_____
Unit price/piece

Safety & Environment

REACH Date	27.06.2024
REACH Info	Conformable
RoHS Info	Conformable

Origin & International Trade

Country of origin	DE
Customs tarif number	85369010