

MINCOM-Connection Terminal

fully insulated

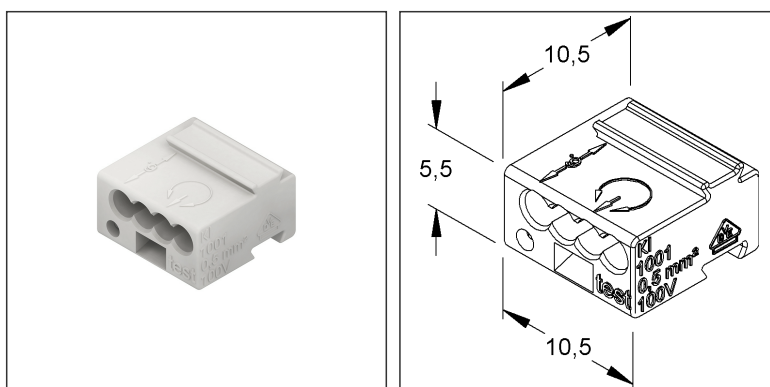
1001.4.06

As long as there is still in stock

EAN Code: 4011126193831

Smallest packaging unit: 100 pcs.

the photorealistic images are to be considered as reference images



Article Description

MINCOM-connection terminal, height 5,5 mm, clamping range 0,28-0,5 mm², Kunststoff PA, RAL 1016, schwefelgelb

Additional Price Information

Article group	K312
quantity unit	pcs.

Weight

Weight per quantity unit	1 g / pcs.
Weight in kg per 100	0,08 kg / 100pcs.

Technical Datasheet

Clamps

1001.4.06

the photorealistic images are to be considered as reference images

Physical Article Dimensions

Height	7.00 mm
Width	11.00 mm
Depth/length	11.00 mm

Packing Dimension

1 piece = 1 piece		✓ VP1-smallest packaging unit (PU)			
Lenght	11.00 mm	Width	11.00 mm	Height	7.00 mm
Gross weight	0 kg	Volume	0,000 m ³		
Min. quantity	1.00 pcs.	Max. Quantity	1.00 pcs.		
100 pieces = 1		✓ VP2-preferred PU			
Lenght	60.00 mm	Width	53.00 mm	Height	42.00 mm
Gross weight	0,09 kg	Volume	0,000 m ³		
Min. Quantity	100.00 pcs.	Max. Quantity	100.00 pcs.		
1000 pieces = 1 covering box					
Lenght	218 mm	Width	150.00 mm	Height	74.00 mm
Gross weight	1,01 kg	Volume	0,002 m ³		
Min. Quantity	1.000.00 pcs.	Max. Quantity	1.000.00 pcs.		

Tender Text

MINCOM connection terminal, fully insulated, for low-current installations, halogen-free. Dimensions (approx. Dimensions) H x W x D : 5,5 x 10,5 x 10,5 mm Clamping range solid : 0,2 - 0,5 mm ² Connection possibilities solid : 1 x 0,2 mm ² , 1 x 0,34 mm ² , 1 x 0,5 mm ² Clamping points : 4 Material insulating part : PA Material clamping spring : copper alloy, tinned Temperature resistance : -30° up to 100°C Nominal voltage : 100 V Colour : sulphur yellow RAL: 1016 (similar) Kleinhuis Model-No. : 1001.4.06 EP Material _____ EP Wage _____ Unit price/piece
--

Safety & Environment

REACH Date	27.06.2024
REACH Info	Conformable
RoHS Info	Conformable

Origin & International Trade

Country of origin	DE
Customs tarif number	85369010